

Cooker hob S4000 Domino

Gas hobs

Code: 7278 032



DETAILS

Edge/Installation Type Q4 (4 mm Edge)

Finish Foster brushed

Material AISI 304 stainless steel

Texture Brushed in line

Supply 220 - 240 V; 50/60 Hz

Dimensions 450x520 mm

Base size 45cm

Heating element single burner

Built-in hole 430x480 mm

Grids Cast iron grids and enamelled burner covers

Width 45 cm

Total power 5.000 W

Dual 5.000 W

Safety Safety valve with quick-acting thermocouple

Ignition Electric ignition under knob

Gas type Tested for installation with natural gas, LPG nozzle set included.

Type Gas Hob

EQUIPMENT

1 x Cast iron wok support 9601

727

1 x Cast iron pot support 9601

742

FEATURES

Aeo burners

The AEO burners guarantee up to 25% energy saving compared to standard burners. All models are designed with The Dual burner with 2 independent crowns, controlled by a single knob, delivers from 1 to 5KW, a power that can only be found in professional models.

Cast iron grids

Cast-iron is the ideal material for an hob grid, this due to the manifold properties characterising it: high heat capacity that improves cooking performance; high weight and stability that improve safety; sturdiness that preserves the hob's original aspect over time; easy cleaning.

Safe cooking

All Foster cooker hobs are equipped with safety valves. They shut off the gas supply very quickly if the flame accidentally goes out.

Special burners

Many Foster hobs are equipped with special burners, with two or three rings of fire that greatly increase the power delivered and the heated surface. In the DUAL models the two fire crowns also have independent ignition, making these burners perfect for both intensive and delicate cooking.

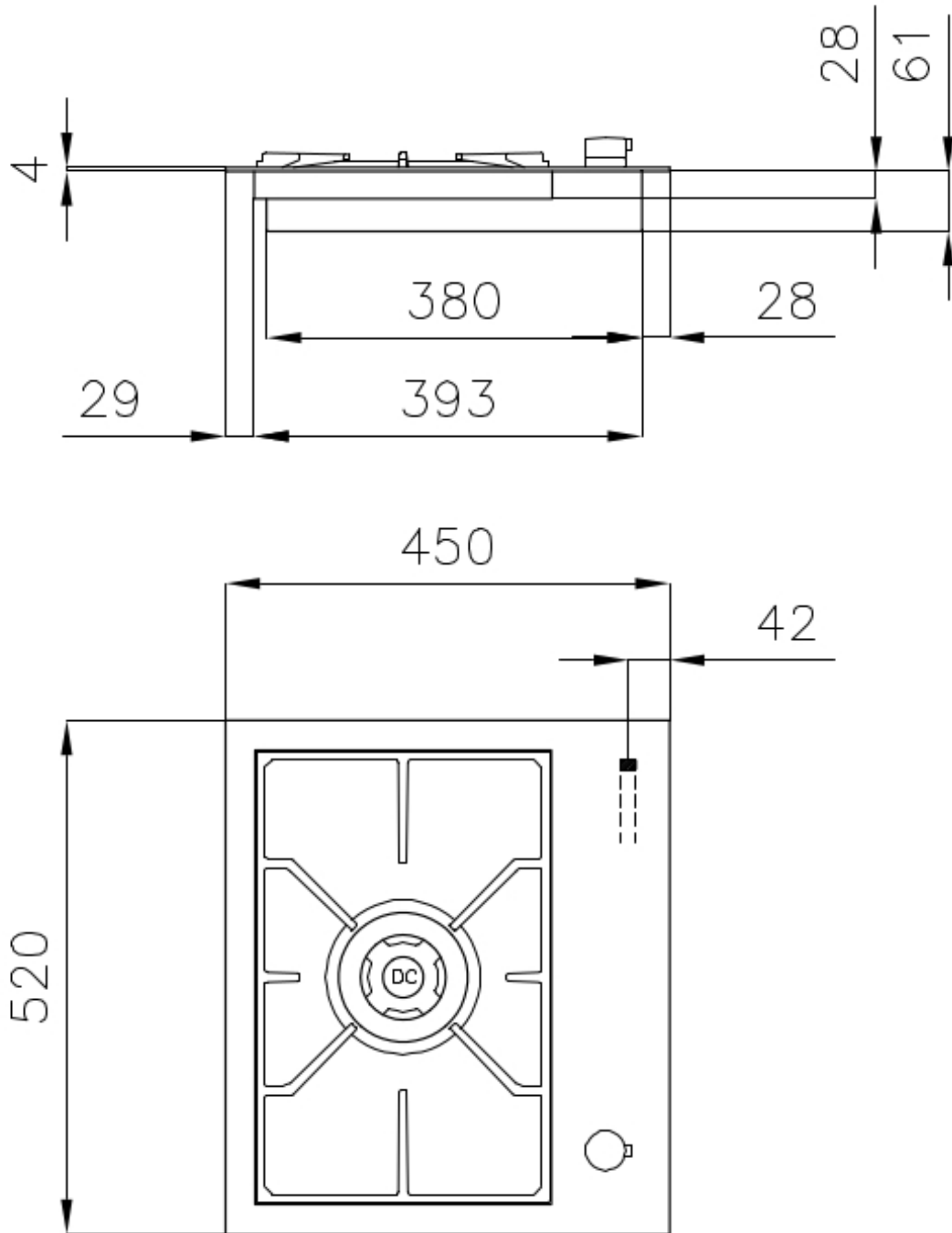
Ultra-flat hob

Design meets functionality in the the ultra-flat models. Elegant grids that form a generously sized overall surface.

Under-knob ignition

The utmost freedom of movement with electronic under-knob ignition, a common feature of all models that allows a one-hand ignition of the burner.

TECHNICAL DATA



GALLERY



EQUIPMENT

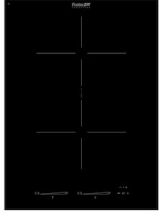


Cast iron wok support
9601 727



Cast iron pot support
9601 742

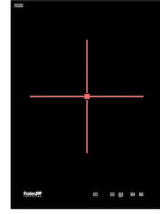
RECOMMENDED PAIRINGS



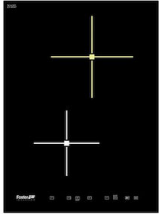
Cooker hob S4000 Domino Induction
7341 655



Cooker hob S4000 Domino Induction
7341 255



Cooker hob S4000 Domino Induction
7321 240



Cooker hob S4000 Domino Induction
7322 240



Cooker hob S4000 Domino Induction
7325 455



Hood S4000 Domino Ghost
2451 000



Sink KE Q4
2272 050



Spacer for Domino elements
8320 000